

KF Vacuum Hardware



12.1 KF CLAMPS AND CENTRING RINGS

-> Page 12.2

- KF Clamps - Standard Aluminium type with Wingnut
- KF Clamps - QUICK clamps with lever action
- KF Centring Ring - ALUMINIUM with VITON O-Ring
- KF Centring Ring - Stainless Steel with VITON O-Ring
- KF Centring Ring - OUTER TYPE with Viton O-Ring
- KF Centring Ring - REDUCER RING Aluminium with Viton O-Ring



12.2 KF FITTINGS

-> Page 12.3

- KF Flange - ALUMINIUM
- KF Flange - Stainless Steel
- KF Flange with Tube - SHORT - Stainless Steel
- KF Flange with Tube - LONG - Stainless Steel
- KF Spare O-Rings



- KF Straight Connector - Stainless Steel
- KF Conical Reducers - Stainless Steel
- KF Elbows - Stainless Steel
- KF Tee Pieces - Stainless Steel
- KF Reducing Tee Pieces - Stainless Steel

- KF 4 Way Crosses - Stainless Steel
- KF 6 Way Crosses - Stainless Steel



- KF Transparent Viewflange - Including O-Ring and clamp
- KF Mesh Protection Centring ring and O-Ring - Stainless Steel / Viton

12.3 KF FLEXIBLE HOSES

-> Page 12.6

- KF Flexible Hoses - Stainless Steel
- KF Flexible Hoses with protective braid



12.4 EVAC CLAMPS AND FITTINGS

-> Page 12.8



- 1 Sub-D
- 2 CM + DIL F/T
- 3 Coax F/T
- 4 Power High Voltage
- 5 Thermo-couple
- 6 Cables Accessories
- 7 Viewports Fiberoptic
- 8 Valves
- 9 Motion Manipulation
- 10 Process Control
- 11 CF Hardware
- 12 KF Hardware
- 13 ISO-K Hardware
- 14 Adaptors Specials
- 15 HV / UHV Chambers
- 16 Atlas Bi-Metal

12.2 KF CLAMPS/ CENTRING RINGS

DE: Info@allectra.com
 UK: uk@allectra.com
 F: fr@allectra.com



KF Clamps

The Standard Clamp is made of Aluminium with a wing nut. Quick Action Clamps have a quick release lever action.

KF Centring Rings

Standard Centring Rings consist of an Inner Aluminium or Stainless Steel carrier with a Viton O Ring. Outer Centring Rings leave the full inner diameter of the Flange free. They are easier to use than the conventional type and can be used equally with DN10/ 16, DN20/ 25 or DN32/ 40 Flanges instead of the Adaptor Centring Rings.

General Specification 431-KFXX-C

Vacuum Material	High Vacuum Aluminium
-----------------	-----------------------



431-KF25-CQ

For overpressure applications, please use EVAC CHAIN CLAMPS. Together with Aluminium metal seals a pressure range from 10^{-11} mbar to 300 bar is possible! See separate EVAC catalogue or contact the Sales Office.



431-KF40-CR-EX

For electrical insulation, polymere clamps and O-Rings with PTFE centring rings are available. Please call or e-mail the Sales Office.

Adaptor Centring Rings can be used to couple together a DN10KF Flange to a DN16KF Flange. As an alternative, Outer Centring Rings can be used in the same way.



KF Clamps STANDARD Aluminium type with Wingnut

FLANGE	THICKNESS	PART NUMBER	EURO
10/16KF	16	431-KF16-C	3,50
20/25KF	16	431-KF25-C	4,00
32/40KF	16	431-KF40-C	5,00
50KF	25	431-KF50-C	10,00

KF Clamps QUICK CLAMPS with lever action

FLANGE	THICKNESS	PART NUMBER	EURO
10/16KF	16	431-KF16-CQ	10,00
20/25KF	16	431-KF25-CQ	12,00
32/40KF	16	431-KF40-CQ	14,00
50KF	25	431-KF50-CQ	POR

KF Centring Ring ALUMINIUM with Viton O-Ring

FLANGE	THICKNESS	PART NUMBER	EURO
10KF	8	431-KF10-CR-AV	3,50
16KF	8	431-KF16-CR-AV	3,50
25KF	8	431-KF25-CR-AV	4,50
40KF	8	431-KF40-CR-AV	6,00
50KF	8	431-KF50-CR-AV	8,00

KF Centring Ring STAINLESS STEEL with Viton O-Ring

FLANGE	THICKNESS	PART NUMBER	EURO
10KF	8	431-KF10-CR-SV	4,00
16KF	8	431-KF16-CR-SV	4,00
25KF	8	431-KF25-CR-SV	4,80
40KF	8	431-KF40-CR-SV	6,20
50KF	8	431-KF50-CR-SV	9,00

KF Centring Ring OUTER TYPE with Viton O-Ring

FLANGE	THICKNESS	PART NUMBER	EURO
10/16KF	7	431-KF16-CR-EX	6,50
20/25KF	7	431-KF25-CR-EX	7,50
32/40KF	7	431-KF40-CR-EX	8,50
50KF	7	431-KF50-CR-EX	12,00

KF Centring Ring ADAPTOR RING Aluminium with Viton O-Ring

FLANGE	THICKNESS	PART NUMBER	EURO
10/16KF	7	431-KF16-10-CR	6,00
20/25KF	7	431-KF25-20-CR	6,50
32/40KF	7	431-KF40-32-CR	9,00

- 1 Sub-D
- 2 CM + DIL F/T
- 3 Coax F/T
- 4 Power High Voltage
- 5 Thermo-couple
- 6 Cables Accessories
- 7 Viewports Fiberoptic
- 8 Valves
- 9 Motion Manipulation
- 10 Process Control
- 11 CF Hardware
- 12 KF Hardware
- 13 ISO-K Hardware
- 14 Adaptors Specials
- 15 HV / UHV Chambers
- 16 Atlas Bi-Metal

KF Flanges Aluminium & Stainless Steel

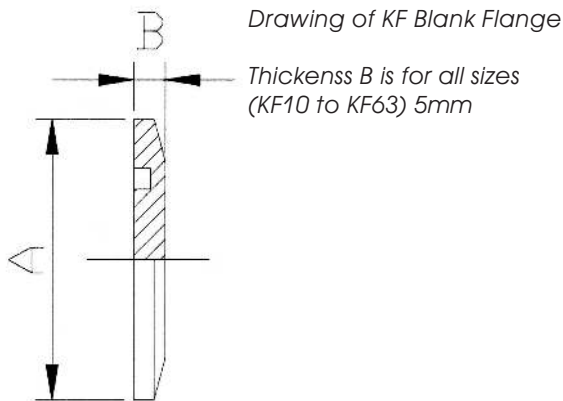
KF Flanges with Tube

KF Spare Viton O-Rings



General Specification KF Fittings

Vacuum	High Vacuum UHV (10 ⁻¹⁰ mbar) with metal seals
Overpressure	Up to 300 bars with special components, ask Sales Office
Materials	Aluminium or Stainless Steel 316L, Glass and Quartz on request



63KF is a special version from EVAC. It is significantly smaller than a 63 ISO-K flange and allows fast and easy closing with Chain Clamps.



Various Viton O-Rings with Inner and Outer Centring Rings

KF Flange ALUMINIUM

FLANGE	A (mm)	PART NUMBER	EURO
10KF	30	431-KF10-B-AL	5,00
16KF	30	431-KF16-B-AL	5,00
25KF	40	431-KF25-B-AL	5,50
40KF	55	431-KF40-B-AL	6,50
50KF	75	431-KF50-B-AL	11,00

KF Flange STAINLESS STEEL

FLANGE	A (mm)	PART NUMBER	EURO
10KF	30	431-KF10-B	4,50
16KF	30	431-KF16-B	4,50
25KF	40	431-KF25-B	5,50
40KF	55	431-KF40-B	6,50
50KF	75	431-KF50-B	12,00
63KF	87	E32.063003.120.563	POR

KF Flange with Tube SHORT STAINLESS STEEL

FLANGE	LENGTH	PART NUMBER	EURO
10KF	30	433-KF10-TS	9,00
16KF	30	433-KF16-TS	10,00
25KF	30	433-KF25-TS	12,00
40KF	30	433-KF40-TS	20,00
50KF	30	433-KF50-TS	30,00
63KF	30	E32.063005.111.363	POR

KF Flange with Tube LONG STAINLESS STEEL

FLANGE	LENGTH	PART NUMBER	EURO
10KF	70	433-KF10-T	18,00
16KF	70	433-KF16-T	18,00
25KF	70	433-KF25-T	20,00
40KF	70	433-KF40-T	26,00
50KF	70	433-KF50-T	41,00
63KF	60	E32.063005.112.363	POR

KF Replacement O-Rings VITON

FLANGE	No PER PKT.	PART NUMBER	EURO
10KF	5	431-KF10-O	6,00
16KF	5	431-KF16-O	6,00
25KF	5	431-KF25-O	8,00
40KF	5	431-KF40-O	9,00
50KF	5	431-KF50-O	13,00
63KF	5	431-KF63-O	POR

- 1 Sub-D
- 2 CM + DIL F/T
- 3 Coax F/T
- 4 Power High Voltage
- 5 Thermo-couple
- 6 Cables Accessories
- 7 Viewports Fiberoptic
- 8 Valves
- 9 Motion Manipulation
- 10 Process Control
- 11 CF Hardware
- 12 KF Hardware
- 13 ISO-K Hardware
- 14 Adaptors Specials
- 15 HV / UHV Chambers
- 16 Atlas Bi-Metal

- 1 Sub-D
- 2 CM + DIL F/T
- 3 Coax F/T
- 4 Power High Voltage
- 5 Thermo-couple
- 6 Cables Accessories
- 7 Viewports Fiberoptic
- 8 Valves
- 9 Motion Manipulation
- 10 Process Control
- 11 CF Hardware
- 12 KF Hardware
- 13 ISO-K Hardware
- 14 Adaptors Specials
- 15 HV / UHV Chambers
- 16 Atlas Bi-Metal

KF Straight Connectors

KF Tee Pieces and Reducing Tees

KF Elbows

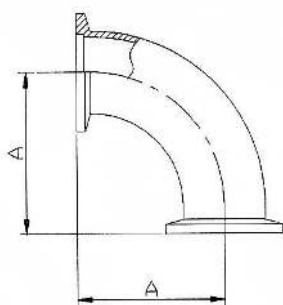
KF Conical Reducers

Non standard length fittings and special versions can be built to order.
 Conical Reducers provide a high conductivity solution for matching different Flange sizes



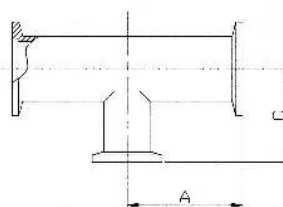
Specification KF Fittings

Vacuum	High Vacuum UHV (10^{-10} mbar) with metal seals
Overpressure	Up to 300 bars with special components, ask Sales Office
Materials	Stainless Steel Aluminium, SS 316L, Glass and Quartz on request

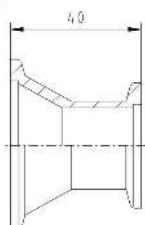


dimensions of Elbow

Aluminium components are available, they are manufactured in one piece without weld



dimensions of Reducing Tee



Conical Reducer

KF Straight Connectors STAINLESS STEEL

FLANGE	LENGTH	PART NUMBER	EURO
10KF	70	433-KFX2-10	25,00
16KF	70	433-KFX2-16	25,00
25KF	70	433-KFX2-25	34,00
40KF	70	433-KFX2-40	48,00
50KF	70	433-KFX2-50	56,00
63KF	176	E33.063003.111.563	POA

KF Elbows STAINLESS STEEL

FLANGE	A	PART NUMBER	EURO
10KF	70	433-KFL-10	38,00
16KF	70	433-KFL-16	38,00
25KF	70	433-KFL-25	38,00
40KF	70	433-KFL-40	43,00
50KF	70	433-KFL-50	60,00
63KF	88	E33.063003.150.563	POR

KF Tee Pieces STAINLESS STEEL

FLANGE	B	PART NUMBER	EURO
10KF	60	433-KFX3-10	42,00
16KF	80	433-KFX3-16	44,00
25KF	100	433-KFX3-25	46,00
40KF	130	433-KFX3-40	60,00
50KF	140	433-KFX3-50	90,00
63KF	176	E33.063003.160.563	POR

KF REDUCING Tee Pieces STAINLESS STEEL

FLANGE	A/C	PART NUMBER	EURO
25KF/16KF	50/40	433-KFX3-25-16	60,00
40KF/16KF	65/40	433-KFX3-40-16	75,00
40KF/25KF	65/50	433-KFX3-40-25	75,00
50KF/25KF	70/50	433-KFX3-50-25	90,00
50KF/40KF	70/65	433-KFX3-50-40	110,00

KF Conical Reducers STAINLESS STEEL

FLANGE	LENGTH	PART NUMBER	EURO
25KF/16KF	40	433-KCR25-16	30,00
40KF/16KF	40	433-KCR40-16	35,00
40KF/25KF	40	433-KCR40-25	38,00
50KF/25KF	40	433-KCR50-25	60,00
50KF/40KF	40	433-KCR50-40	66,00
63KF/50KF	40	E33.063003.140.365	POR

KF 4 and 6 Way Crosses

KF Transparent Viewport Flange

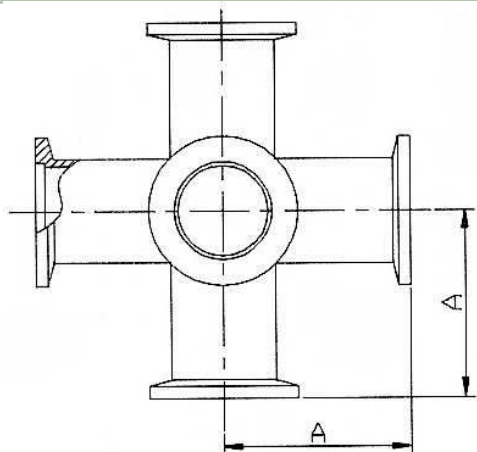
KF Mesh Protective Centring Ring

Standard 4 and 6 way Crosses are shown
 Optionally Crosses can be built to order with custom port length and any required Flanges
 Transparent Flanges offer a low cost Viewport solution
 Mesh Centring Rings prevent the passage of unwanted particles.



Specification KF Crosses

Vacuum	High Vacuum UHV (10 ⁻¹⁰ mbar) with metal seals
Overpressure	Up to 300 bars with special components, ask Sales Office
Materials	Stainless Steel Aluminium, SS 316L, Glass and Quartz on request



433-KFX6-25

Transparent flanges are also available in Quartz. For over-pressure special metal sealed versions are available.



431-KF25-MESH-SV

**KF 4 Way Crosses
STAINLESS STEEL**

FLANGE	A	PART NUMBER	EURO
16KF	40	433-KFX4-16	50,00
25KF	50	433-KFX4-25	59,00
40KF	65	433-KFX4-40	85,00
50KF	70	433-KFX4-50	132,00
63KF	88	E33.063003.170.563	POR

**KF 6 Way Crosses
STAINLESS STEEL**

FLANGE	A	PART NUMBER	EURO
16KF	40	433-KFX6-16	120,00
25KF	50	433-KFX6-25	135,00
40KF	65	433-KFX6-40	165,00
50KF	70	433-KFX6-50	220,00

**KF Transparent Viewflange
Including O-Ring and clamp**

FLANGE	VIEW DIAM	PART NUMBER	EURO
16KF	16	120-VPGFS-K16	44,00
25KF	25	120-VPGFS-K25	57,00
40KF	40	120-VPGFS-K40	64,00
50KF	50	120-VPGFS-K50	79,00
63KF	63	120-VPGFS-K63	POR

**KF Mesh Protection Centering-Ring and O-Ring
STAINLESS STEEL/ Viton**

FLANGE	MESH	PART NUMBER	EURO
16KF	0.02 mm	431-KF16-MESH-SV	23,00
25KF	0.02 mm	431-KF25-MESH-SV	28,00
40KF	0.02 mm	431-KF40-MESH-SV	39,00
50KF	0.02 mm	431-KF50-MESH-SV	49,00

- 1 Sub-D
- 2 CM + DIL F/T
- 3 Coax F/T
- 4 Power High Voltage
- 5 Thermo-couple
- 6 Cables Accessories
- 7 Viewports Fiberoptic
- 8 Valves
- 9 Motion Manipulation
- 10 Process Control
- 11 CF Hardware
- 12 KF Hardware
- 13 ISO-K Hardware
- 14 Adaptors Specials
- 15 HV / UHV Chambers
- 16 Atlas Bi-Metal

KF Flexible Stainless Steel Hoses

Hydraulically Formed Flexible Bellows are ideal for applications such as connecting pumps to vacuum systems.

- Suitable for wide temperature range (-270°C to + 200°C)
- Absorbs vibration and noise from pumps etc.
- Compensates for thermal expansion or contraction of piping.
- Corrects misalignment problems
- A flexible and quick alternative for rigid piping in difficult locations.



Specification KF Flexible Hoses

Vacuum Temp. Range	High Vacuum -270°C ... 700°C for bellows (limited by flange / seal)
Material	Stainless Steel 316L
Recommended Min. Bend Radius	
DN16	160 mm
DN25	190 mm
DN40	300 mm
DN50	320 mm



KF Flexible Hoses 316L Stainless Steel

FLANGE	LENGTH	PART NUMBER	EURO
16KF	250	452-HOSE-K16-0250	30,00
16KF	500	452-HOSE-K16-0500	33,00
16KF	1000	452-HOSE-K16-1000	44,00
16KF	2000	452-HOSE-K16-2000	67,00
25KF	500	452-HOSE-K25-0500	43,00
25KF	1000	452-HOSE-K25-1000	57,00
25KF	2000	452-HOSE-K25-2000	81,00
40KF	500	452-HOSE-K40-0500	68,00
40KF	1000	452-HOSE-K40-1000	89,00
40KF	2000	452-HOSE-K40-2000	135,00
50KF	500	452-HOSE-K50-0500	90,00
50KF	1000	452-HOSE-K50-1000	110,00
50KF	2000	452-HOSE-K50-2000	154,00

Flexible Hoses - Tube Termination - Unflanged 316L Stainless Steel

NOM. SIZE	LENGTH	PART NUMBER	EURO
DN16	500	452-HOSE16-0500	30,00
DN16	1000	452-HOSE16-1000	39,00
DN16	2000	452-HOSE16-2000	50,00
DN25	500	452-HOSE25-0500	40,00
DN25	1000	452-HOSE25-1000	47,00
DN25	2000	452-HOSE25-2000	70,00
DN40	500	452-HOSE40-0500	64,00
DN40	1000	452-HOSE40-1000	75,00
DN40	2000	452-HOSE40-2000	101,00
DN50	500	452-HOSE50-0500	85,00
DN50	1000	452-HOSE50-1000	105,00
DN50	2000	452-HOSE50-2000	130,00

Tube Termination (Unflanged) Hoses

Hoses with standard tube terminations are offered in a range of sizes and lengths. Allectra can fit Flanges of various types to these Hoses as required. Tube Hoses can be fitted with mixtures of KF size Flanges or with different Flange types on each end e.g. 16KF to 16CF.

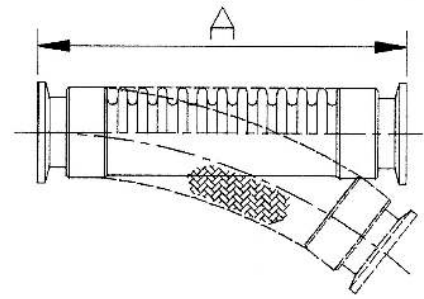
Also custom lengths are available. Please call Sales Office

- 1 Sub-D
- 2 CM + DIL F/T
- 3 Coax F/T
- 4 Power High Voltage
- 5 Thermo-couple
- 6 Cables Accessories
- 7 Viewports Fiberoptic
- 8 Valves
- 9 Motion Manipulation
- 10 Process Control
- 11 CF Hardware
- 12 KF Hardware
- 13 ISO-K Hardware
- 14 Adaptors Specials
- 15 HV / UHV Chambers
- 16 Atlas Bi-Metal

KF Braided Flexible Hoses and KF PVC Hose

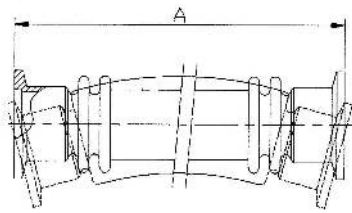
Braided Flexible Hoses are the same construction as KF Flexible Connectors but with an outer Stainless Steel Flexible Braid which protects the Hose. Flexible Hoses often run in exposed positions and these Braided Hoses are recommended for safety. If used with correct gaskets and Chain Clamps, these hoses can be used for over-pressure.

For a low cost alternative to Flexible Hoses, Allectra offers PVC Hose.

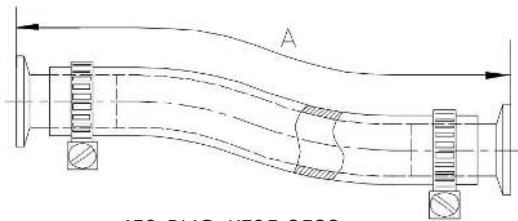


Specification 452-BHOSE

Vacuum	High Vacuum
Hose Materials	Stainless steel
Outer Braid	Plaited Stainless Steel
Min.Bend radius	16KF: 70mm 25KF: 100mm 40KF: 130mm 50KF: 200mm 63KF: 300mm



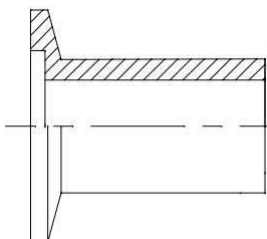
452-BHOSE-K40-0500



452-PVC-KF25-0500

Specification Flexible Coupling

Vacuum	High Vacuum
Hose Materials	Stainless steel
Type	Thin Wall High Flexible bellow
Travel	+/-5mm (KF16 / KF25) +/-10mm (KF40)



**KF Braided Flexible Connectors
STAINLESS STEEL**

FLANGE	LENGTH	PART NUMBER	EURO
16KF	500	452-BHOSE-K16-0500	126,00
16KF	1000	452-BHOSE-K16-1000	140,00
25KF	500	452-BHOSE-K25-0500	150,00
25KF	1000	452-BHOSE-K25-1000	175,00
40KF	500	452-BHOSE-K40-0500	190,00
40KF	1000	452-BHOSE-K40-1000	220,00
50KF	500	452-BHOSE-K50-0500	POR
50KF	1000	452-BHOSE-K50-1000	POR
63KF	500	E35.063086.112.363	POR
63KF	1000	E35.063086.114.363	POR

**KF PVC Hose
PVC with Steel Spiral**

FLANGE	LENGTH	PART NUMBER	EURO
16KF	500	452-PVC-K16-0500	32,00
16KF	1000	452-PVC-K16-1000	37,50
25KF	500	452-PVC-K25-0500	40,00
25KF	1000	452-PVC-K25-1000	47,50
40KF	500	452-PVC-K40-0500	65,00
40KF	1000	452-PVC-K40-1000	77,50
50KF	500	452-PVC-K50-0500	119,00
50KF	1000	452-PVC-K50-1000	132,00

**KF Flexible Coupling
High-Flexibility**

FLANGE	LENGTH	PART NUMBER	EURO
16KF	60+/-5	452-KFX2-16-BEL	72,00
25KF	60+/-5	452-KFX2-25-BEL	83,00
40KF	120+/-10	452-KFX2-40-BEL	108,00

**KF Flange for PVC Hose
ALUMINIUM**

FLANGE	FOR HOSE ID	PART NUMBER	EURO
16KF	16	452-HF16-K16-AL	15,00
25KF	25	452-HF25-K25-AL	17,00
40KF	40	452-HF40-K40-AL	19,00

- 1 Sub-D
- 2 CM + DIL F/T
- 3 Coax F/T
- 4 Power High Voltage
- 5 Thermo-couple
- 6 Cables Accessories
- 7 Viewports Fiberoptic
- 8 Valves
- 9 Motion Manipulation
- 10 Process Control
- 11 CF Hardware
- 12 KF Hardware
- 13 ISO-K Hardware
- 14 Adaptors Specials
- 15 HV / UHV Chambers
- 16 Atlas Bi-Metal

1 Sub-D
 2 CM + DIL F/T
 3 Coax F/T
 4 Power High Voltage
 5 Thermo-couple
 6 Cables Accessories
 7 Viewports Fiberoptic
 8 Valves
 9 Motion Manipulation
 10 Process Control
 11 CF Hardware
 12 KF Hardware
 13 ISO-K Hardware
 14 Adaptors Specials
 15 HV / UHV Chambers
 16 Atlas Bi-Metal

EVAC Chain-Clamps and Fittings



EVAC offers a large variety of special flanges. Here a short overview. **Please ask for a complete EVAC catalogue.**

KF:

- KF Flanges in Stainless Steel 304 and 316L
- KF Aluminium components
- KF Flanges and Components like Crosses etc. in Glass (Duran) and Quartz, "EVAC Glass TM"
- KF in the size 63KF
- Metal seals for KF which allow the UHV use of KF components
- Extended temperature range -270°C to 300°C
- High quality Chain Clamps for overpressure applications up to 20 bar



Glass components with Chain-Clamp

ISO:

- EVAC ISO tapered flanges with flats for fast Chain-Clamp closure
- Extended vacuum range down to 10^{-11} mbar
- Extended temperature range -270°C to 300°C
- Various Chain-Clamps from "Low Cost" to "High Pressure" Versions for up to 100 bar
- Glass flanges and components up to ISO-160 size



Chain-Clamps for ISO-K 63

CeFIX® Flanges:

An all-metal seal flange system without knife edge. Lower sealing force and reusable gaskets are the highlights of this design

- Sizes from NW16 to NW250
- Gaskets compatible with standard CF flange system
- Gaskets reusable up to 10 times
- Seals in Copper, Silver plated Copper, Aluminium, Nickel
- Overpressure up to 100 bar with appropriate Chain-Clamps
- Temperature range -270°C to 300°C



CeFIX Flanges with Gasket

sTerIc Clamp™:

- Ideal Flange system for biotech, food industry and pharmacy
- Can be sterilized, including Chain-Clamp
- Wide temperature range -200 to +200°C
- Pressure range 10^{-7} mbar up to 10 bar



sTerIc Clamp Flange, closed with an all metal Chain-Clamp

Allectra is an authorised Distributor for EVAC products.

ISO Flange System



13.1 ISO CLAMPS AND GASKETS

-> Page 13.2

- ISO Double Claw Clamps - Zinc plated Steel
- ISO Double Claw Clamps - Stainless Steel
- ISO Single Claw Clamps - Zinc plated Steel
- ISO Single Claw Clamps - Stainless Steel



ISO CENTRING RING WITH O-RING

- ISO Centring Ring with O-Ring - Aluminium/ Viton
- ISO Centring Ring with O-Ring - Stainless Steel/ Viton

ISO BLANKFLANGES - STAINLESS STEEL

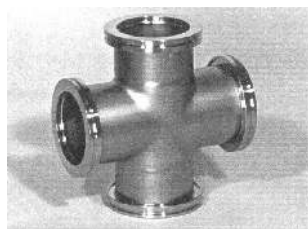
- ISO-K Blank Flanges
- ISO-F Rotatable Bolt Rings
- ISO-F Bolt Sets for joining to Tapped Flanges



13.2 ISO-K VIEWPORT & FITTINGS

-> Page 13.5

- ISO-K Viton O-Ring sealed Viewports - Borosilicate Glass in Stainless Steel Holder
- ISO-K Flange with tube - Stainless Steel
- ISO-K Conical Reducer - Stainless Steel



ISO-K FITTINGS - STAINLESS STEEL

- ISO-K Straight Connector
- ISO-K Elbow
- ISO-K Tee Piece
- ISO-K Reducing Tee Piece



13.3 ISO-K 4- AND 6-WAY-CROSSES

-> Page 13.7

- ISO-K 4 Way Cross - TUBE Construction
- ISO-K 4 Way Cross - SPHERE Construction
- ISO-K 6 Way Cross - TUBE Construction
- ISO-K 6 Way Cross - SPHERE Construction



ISO SPARE O-RINGS AND FLEXIBLE COUPLINGS

- ISO Spare O-Ring - Viton
- ISO Flexible Bellows Connector - Stainless Steel

1 Sub-D

2 CM + DIL F/T

3 Coax F/T

4 Power High Voltage

5 Thermo-couple

6 Cables Accessories

7 Viewports Fiberoptic

8 Valves

9 Motion Manipulation

10 Process Control

11 CF Hardware

12 KF Hardware

13 ISO-K Hardware

14 Adaptors Specials

15 HV / UHV Chambers

16 Atlas Bi-Metal

ISO Clamps and Gaskets

From size DN63 to size DN630, the ISO Norm 1609 specifies a series of Large Vacuum Flanges which are sealed with elastomer seals. These are called ISO-K Flanges or sometimes LF (Large Flanges). They are suitable for elevated temperatures up to 200°C for brief periods and 150°C for continuous operation. ISO-K flanges are sealed with Double Claw Clamps. Alternatively compatible Bolt Flanges are available. The Bolt Flanges are called ISO-F and can be used with ISO-K by means Single Claw Clamps.

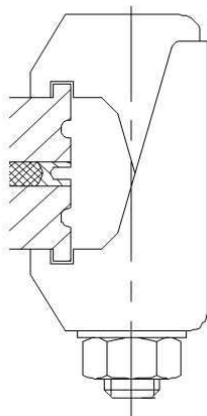


Specification Claw Clamps

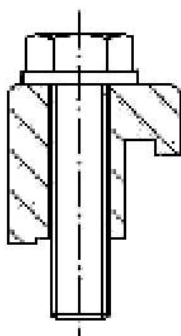
Vacuum	High Vacuum
Materials	Stainless Steel, Zinc plated Steel
Thread Sizes	see Table

Size	Minimum No. of Clamps	Thread* (SCC)
ISO-K 63	4	M8
ISO-K 100	4	M8
ISO-K 160	4	M10
ISO-K 200	6	M10
ISO-K 250	6	M10
ISO-K 320	8	M12
ISO-K 400	8	M12
ISO-K 500	12	M12
ISO-K 630	12	M12

* Thread in ISO-F flanges for Single claw clamps.



441-DCC



441-SCC

ISO Double Claw Clamps ZINC PLATED STEEL

FLANGE	TYPE	PART NUMBER	EURO
63-250 ISO-K	DOUBLE	441-DCC-063-250-S	4,50
320-500 ISO-K	DOUBLE	441-DCC-320-500-S	6,00

ISO Double Claw Clamps STAINLESS STEEL

FLANGE	TYPE	PART NUMBER	EURO
63-250 ISO-K	DOUBLE	441-DCC-063-250-SS	11,00
320-630 ISO-K	DOUBLE	441-DCC-320-630-SS	16,00

ISO Single Claw Clamps ZINC PLATED STEEL

FLANGE	TYPE	PART NUMBER	EURO
63-100 ISO-K	SINGLE	441-SCC-063-100-S	3,50
160-250 ISO-K	SINGLE	441-SCC-160-250-S	4,00
320-500 ISO-K	SINGLE	441-SCC-320-500-S	5,50

ISO Single Claw Clamps STAINLESS STEEL

FLANGE	TYPE	PART NUMBER	EURO
63-100 ISO-K	SINGLE	441-SCC-063-100-SS	7,00
160-250 ISO-K	SINGLE	441-SCC-160-250-SS	8,00
320-500 ISO-K	SINGLE	441-SCC-320-500-SS	12,00
630 ISO-K	SINGLE	441-SCC-630-SS	14,00

- 1 Sub-D
- 2 CM + DIL F/T
- 3 Coax F/T
- 4 Power High Voltage
- 5 Thermo-couple
- 6 Cables Accessories
- 7 Viewports Fiberoptic
- 8 Valves
- 9 Motion Manipulation
- 10 Process Control
- 11 CF Hardware
- 12 KF Hardware
- 13 ISO-K Hardware
- 14 Adaptors Specials
- 15 HV / UHV Chambers
- 16 Atlas Bi-Metal

ISO Centring Ring with O-Ring

Allectra Centring Rings have Aluminium or Stainless Steel Carriers with Viton O-Rings as standard. NBR (Buna) O-Ring with Aluminium Carrier are available on request. The Centring Ring consists of an Inner Stainless Steel or Aluminium Ring, a Viton O-Ring. If required an Outer Ring is available as an option. Allectra can deliver High Temperature Viton O-Rings for continuous use up to 200°C!

General Specification Centring Ring

Viton O-Ring	
Max. Temp.	200°C
Continuous	150°C
NBR (Buna) O-Ring	
Max. Temp.	100°C
Continuous	80°C



ISO Centring ring with optional outer ring. The outer ring is aluminium for all types.



ISO Centring Ring with O-Ring ALUMINIUM/ Viton

FLANGE	TYPE	PART NUMBER	EURO
63 ISO	AI/VITON	441-ISO63-CR-AV	17,00
100 ISO	AI/VITON	441-ISO100-CR-AV	21,00
160 ISO	AI/VITON	441-ISO160-CR-AV	25,00
200 ISO	AI/VITON	441-ISO200-CR-AV	32,00
250 ISO	AI/VITON	441-ISO250-CR-AV	57,00
320 ISO	AI/VITON	441-ISO320-CR-AV	87,00
400 ISO	AI/VITON	441-ISO400-CR-AV	110,00
500 ISO	AI/VITON	441-ISO500-CR-AV	141,00
630 ISO	AI/VITON	441-ISO630-CR-AV	197,00

ISO Centring Ring with O-Ring ALUMINIUM/ Viton WITH OUTER RING

FLANGE	TYPE	PART NUMBER	EURO
63 ISO	AI/VITON	441-ISO63-CR-AV-OR	19,00
100 ISO	AI/VITON	441-ISO100-CR-AV-OR	28,00
160 ISO	AI/VITON	441-ISO160-CR-AV-OR	POR
200 ISO	AI/VITON	441-ISO200-CR-AV-OR	POR
250 ISO	AI/VITON	441-ISO250-CR-AV-OR	POR

ISO Centring Ring with O-Ring STAINLESS STEEL/ Viton

FLANGE	TYPE	PART NUMBER	EURO
63 ISO	SS/VITON	441-ISO63-CR-SV	22,00
100 ISO	SS/VITON	441-ISO100-CR-SV	33,00
160 ISO	SS/VITON	441-ISO160-CR-SV	45,00
200 ISO	SS/VITON	441-ISO200-CR-SV	66,00
250 ISO	SS/VITON	441-ISO250-CR-SV	80,00
320 ISO	SS/VITON	441-ISO320-CR-SV	POR
400 ISO	SS/VITON	441-ISO400-CR-SV	POR
500 ISO	SS/VITON	441-ISO500-CR-SV	POR
630 ISO	SS/VITON	441-ISO630-CR-SV	POR

ISO Centring Ring with O-Ring STAINLESS STEEL/ Viton WITH OUTER RING

FLANGE	TYPE	PART NUMBER	EURO
63 ISO	SS/VITON	441-ISO63-CR-SV-OR	24,00
100 ISO	SS/VITON	441-ISO100-CR-SV-OR	40,00
160 ISO	SS/VITON	441-ISO160-CR-SV-OR	POR
200 ISO	SS/VITON	441-ISO200-CR-SV-OR	POR
250 ISO	SS/VITON	441-ISO250-CR-SV-OR	POR

- 1 Sub-D
- 2 CM + DIL F/T
- 3 Coax F/T
- 4 Power High Voltage
- 5 Thermo-couple
- 6 Cables Accessories
- 7 Viewports Fiberoptic
- 8 Valves
- 9 Motion Manipulation
- 10 Process Control
- 11 CF Hardware
- 12 KF Hardware
- 13 ISO-K Hardware
- 14 Adaptors Specials
- 15 HV / UHV Chambers
- 16 Atlas Bi-Metal

13.4 ISO BLANK FLANGES

DE: Info@allectra.com
 UK: uk@allectra.com
 F: fr@allectra.com



ISO Blank flanges

Size from 63 ISO-K to size 630 ISO-K are available.

Allectra offers:

- Blank Flanges
- Weld Flanges to order
- ISO Rotatable Bolt Rings to convert ISO-K Clamp Flanges to ISO-F Bolt Flanges.

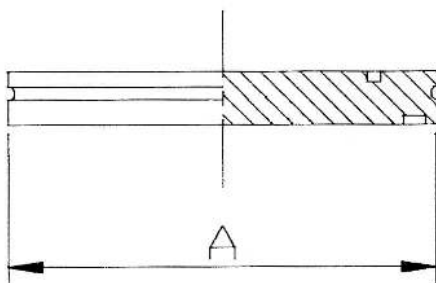
ISO-F (LF Bolt Flanges) available on request.

Aluminium ISO-K Flanges are available to order.



General Specification ISO Blank Flanges

Vacuum	to 10 ⁻⁹ mbar
Materials	Stainless Steel (Aluminium optional)
Flange thickness	12mm (63-250) 17mm (320-500) 22mm (630)



ISO-K Blank Flange.
 For dimensions, please ask for data sheet.



Rotatable Bolt Ring converts an ISO-K to an ISO-F Bolt type flange.
 For dimensions, please ask for data sheet.

Size	No. Boltholes	Thread
ISO-F 63	4	M 8
ISO-F 100	8	M 8
ISO-F 160	8	M10
ISO-F 200	12	M10
ISO-F 250	12	M10
ISO-F 320	16	M12
ISO-F 400	16	M12
ISO-F 500	24	M12
ISO-F 630	24	M12

ISO-K Blank Flanges STAINLESS STEEL

FLANGE	A (mm)	PART NUMBER	EURO
63 ISO-K	95	441-ISO63-B	40,00
100 ISO-K	130	441-ISO100-B	52,00
160 ISO-K	180	441-ISO160-B	87,00
200 ISO-K	240	441-ISO200-B	158,00
250 ISO-K	290	441-ISO250-B	183,00
320 ISO-K	370	441-ISO320-B	322,00
400 ISO-K	450	441-ISO400-B	437,00
500 ISO-K	550	441-ISO500-B	625,00
630 ISO-K	690	441-ISO630-B	1.062,00

ISO-K WELD FLANGES Please call Sales Office

ISO-F Rotatable Bolt Rings including Retaining Ring

FLANGE	OD (mm)	PART NUMBER	EURO
63 ISO-F	130	441-ISO63-COL	45,00
100 ISO-F	165	441-ISO100-COL	65,00
160 ISO-F	225	441-ISO160-COL	130,00
200 ISO-F	285	441-ISO200-COL	175,00
250 ISO-F	335	441-ISO250-COL	210,00
320 ISO-F	425	441-ISO320-COL	285,00
400 ISO-F	510	441-ISO400-COL	435,00
500 ISO-F	610	441-ISO500-COL	645,00
630 ISO-F	750	441-ISO630-COL	1.050,00

ISO-F Bolt Sets for joining to Tapped Flanges STAINLESS STEEL - Packets of 25

FLANGE	No PER PACK	PART NUMBER	EURO
63 ISO-F	M8-20	411-M8X20	17,00
100 ISO-F	M8-20	411-M8X20	17,00
160 ISO-F	M10-30	411-M10X30	35,00
200 ISO-F	M10-30	411-M10X30	35,00
250 ISO-F	M10-30	411-M10X30	35,00
320 ISO-F	M12-40	411-M12X40	52,00
400 ISO-F	M12-40	411-M12X40	52,00
500 ISO-F	M12-40	411-M12X40	52,00
630 ISO-F	M12-40	411-M12X40	52,00

Note: Longer bolts for use with 2 bolt flanges on request

- 1 Sub-D
- 2 CM + DIL F/T
- 3 Coax F/T
- 4 Power High Voltage
- 5 Thermo-couple
- 6 Cables Accessories
- 7 Viewports Fiberoptic
- 8 Valves
- 9 Motion Manipulation
- 10 Process Control
- 11 CF Hardware
- 12 KF Hardware
- 13 ISO-K Hardware
- 14 Adaptors Specials
- 15 HV / UHV Chambers
- 16 Atlas Bi-Metal

ISO-K Viewports, Flanges with Tube and Conical Reducers

- ISO Viewports
- ISO Bored Flanges with Tube
- ISO Conical Reducers

For fittings from DN 320 ISO-K to DN630 ISO-K please call Sales Office.

Custom made fittings on request.

Specification O-Ring Sealed Viewports

Vacuum	to 10 ⁻⁹ mbar
Material	Stainless Steel, Viton O-Ring
Viewport Material	Borosilicate Glass

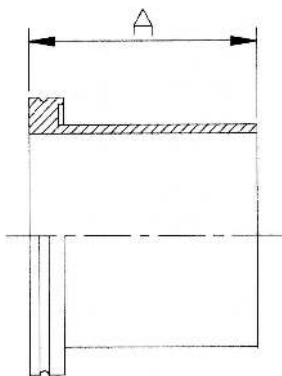


ISO-K Viton O-Ring Sealed Viewports Borosilicate Glass in Stainless Steel Holder

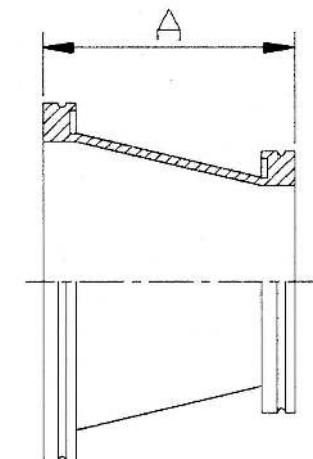
FLANGE	VIEW Ø	PART NUMBER	EURO
63 ISO-K	72	120-VPGO-ISO63	150,00
100 ISO-K	104	120-VPGO-ISO100	228,00
160 ISO-K	152	120-VPGO-ISO160	385,00
200 ISO-K	210	120-VPGO-ISO200	689,00



120-VPGO-ISO063 ISO-K Viewport



441-ISO063-TU
ISO-K Flange with Tube.
Length A for all sizes is 100mm.
For full dimensions, please ask for ISO Fittings data sheet



441-ISO100-63-CR ISO-K Conical Reducer
For length A see product table

ISO-K Flange with tube STAINLESS STEEL

FLANGE	OD/ ID	PART NUMBER	EURO
63 ISO-K	76/70	441-ISO63-TU	70,00
100 ISO-K	108/102	441-ISO100-TU	95,00
160 ISO-K	159/153	441-ISO160-TU	145,00
200 ISO-K	219/213	441-ISO200-TU	203,00
250 ISO-K	267/261	441-ISO250-TU	240,00
320 ISO-K	324/318	441-ISO320-TU	380,00
400 ISO-K	408/400	441-ISO400-TU	490,00
500 ISO-K	508/500	441-ISO500-TU	690,00
630 ISO-K	660/650	441-ISO630-TU	1.200,00

ISO-K Conical Reducer STAINLESS STEEL

FLANGE	LENGTH A	PART NUMBER	EURO
100/ 63 ISO-K	100 mm	441-ISO100-63-CR	180,00
160/100 ISO-K	120 mm	441-ISO160-100-CR	255,00
200/160 ISO-K	140 mm	441-ISO200-160-CR	395,00
250/200 ISO-K	160 mm	441-ISO250-200-CR	510,00

- 1 Sub-D
- 2 CM + DIL F/T
- 3 Coax F/T
- 4 Power High Voltage
- 5 Thermo-couple
- 6 Cables Accessories
- 7 Viewports Fiberoptic
- 8 Valves
- 9 Motion Manipulation
- 10 Process Control
- 11 CF Hardware
- 12 KF Hardware
- 13 ISO-K Hardware
- 14 Adaptors Specials
- 15 HV / UHV Chambers
- 16 Atlas Bi-Metal

ISO-K Fittings

- 90° Elbows
- Tee Pieces
- Reducing Tee Pieces

For fittings from DN 320 ISO-K to DN 630 ISO-K please call Sales Office.



General Specification

Vacuum	to 10 ⁻⁹ mbar
Material	Stainless Steel
Wall Thickness	3 mm (typical up to DN320)

ISO-K Straight Connector STAINLESS STEEL

FLANGE	LENGTH	PART NUMBER	EURO
63 ISO-K	100 mm	443-ISO63-X2	110,00
100 ISO-K	100 mm	443-ISO100-X2	160,00
160 ISO-K	100 mm	443-ISO160-X2	235,00
200 ISO-K	100 mm	443-ISO200-X2	345,00
250 ISO-K	100 mm	443-ISO250-X2	POR

Note: Larger sizes available to order

ISO-K Elbow STAINLESS STEEL

FLANGE	LENGTH A	PART NUMBER	EURO
63 ISO-K	88 mm	443-ISO63-L	128,00
100 ISO-K	108 mm	443-ISO100-L	198,00
160 ISO-K	138 mm	443-ISO160-L	415,00
200 ISO-K	178 mm	443-ISO200-L	560,00
250 ISO-K	208 mm	443-ISO250-L	770,00

Note: Larger sizes available to order

ISO-K Tee Piece STAINLESS STEEL

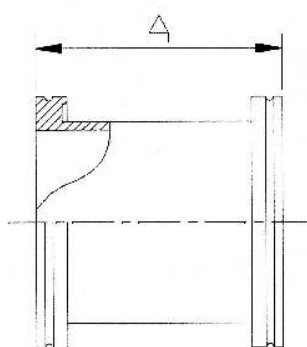
FLANGE	LENGTH A	PART NUMBER	EURO
63 ISO-K	88 mm	443-ISO63-X3	245,00
100 ISO-K	108 mm	443-ISO100-X3	300,00
160 ISO-K	138 mm	443-ISO160-X3	610,00
200 ISO-K	178 mm	443-ISO200-X3	900,00
250 ISO-K	208 mm	443-ISO250-X3	POR

Note: Larger sizes available to order

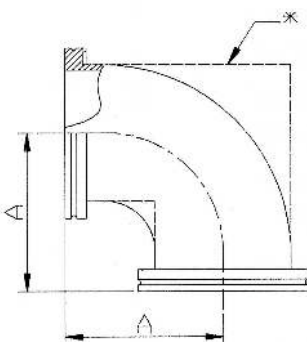
ISO-K Reducing Tee Piece STAINLESS STEEL

FLANGE	LENGTH A/B	PART NUMBER	EURO
100-63 ISO-K	216 / 100	443-ISO100-63-X3	330,00
160-100 ISO-K	276 / 130	443-ISO160-100-X3	600,00
200-160 ISO-K	356 / 160	443-ISO200-160-X3	900,00
250-200 ISO-K	416 / 190	443-ISO250-200-X3	POR

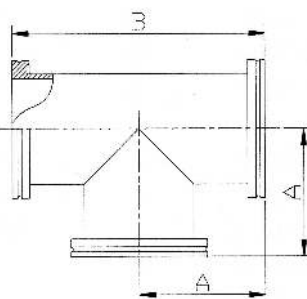
Note: Other sizes on request



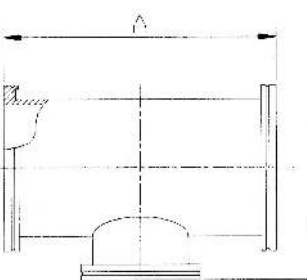
443-ISO063-X2 Straight Connector
For full dimensions, please ask for ISO Fittings data sheet



443-ISO063-L Elbow



ISO-K 063 Tee Piece
For full dimensions, please ask for ISO Fittings data sheet



ISO-K100 to ISO-K63 reducing Tee Piece

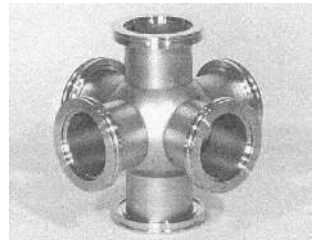
1 Sub-D
2 CM + DIL F/T
3 Coax F/T
4 Power High Voltage
5 Thermo-couple
6 Cables Accessories
7 Viewports Fiberoptic
8 Valves
9 Motion Manipulation
10 Process Control
11 CF Hardware
12 KF Hardware
13 ISO-K Hardware
14 Adaptors Specials
15 HV / UHV Chambers
16 Atlas Bi-Metal

ISO-K 4 and 6 Way Crosses

- 4 Way Crosses
- Spherical 4 Way Crosses
- 6 Way Crosses
- Spherical 6-Way Crosses

The Spherical Crosses have greatly increased work space in the centre.

Special fittings including Reducing Crosses - Please call Sales Office



Specification Crosses

Vacuum	to 10 ⁻⁹ mbar
Material	Stainless Steel
Wall Thickness	3 mm (typical up to DN320)

ISO-K 4 Way Cross

Standard Stainless Steel Tube Construction

FLANGE	LENGTH A	PART NUMBER	EURO
63 ISO-K	88 mm	443-ISO63-X4	345,00
100 ISO-K	108 mm	443-ISO100-X4	480,00
160 ISO-K	138 mm	443-ISO160-X4	870,00
200 ISO-K	178 mm	443-ISO200-X4	POR
250 ISO-K	208 mm	443-ISO250-X4	POR

Note: Larger sizes available to order

ISO-K 4 Way Cross

Stainless Steel SPHERE Construction

FLANGE	LENGTH A	PART NUMBER	EURO
63 ISO-K	88 mm	443-ISO63-X4S	420,00
100 ISO-K	108 mm	443-ISO100-X4S	570,00
160 ISO-K	138 mm	443-ISO160-X4S	960,00
200 ISO-K	178 mm	443-ISO200-X4S	POR
250 ISO-K	208 mm	443-ISO250-X4S	POR

Note: Larger sizes available to order

ISO-K 6 Way Cross

Standard Stainless Steel Tube Construction

FLANGE	LENGTH A	PART NUMBER	EURO
63 ISO-K	88 mm	443-ISO63-X6	550,00
100 ISO-K	108 mm	443-ISO100-X6	720,00
160 ISO-K	138 mm	443-ISO160-X6	1500,00
200 ISO-K	178 mm	443-ISO200-X6	POR
250 ISO-K	208 mm	443-ISO250-X6	POR

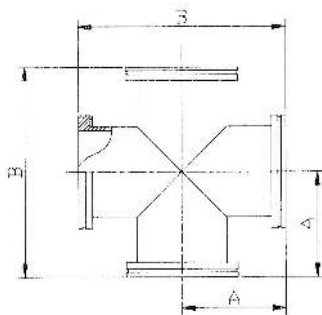
Note: Larger sizes available to order

ISO-K 6 Way Cross

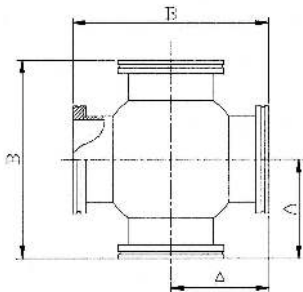
Stainless Steel SPHERE Construction

FLANGE	LENGTH A	PART NUMBER	EURO
63 ISO-K	88 mm	443-ISO63-X6S	600,00
100 ISO-K	108 mm	443-ISO100-X6S	820,00
160 ISO-K	138 mm	443-ISO160-X6S	1350,00
200 ISO-K	178 mm	443-ISO200-X6S	POR
250 ISO-K	208 mm	443-ISO250-X6S	POR

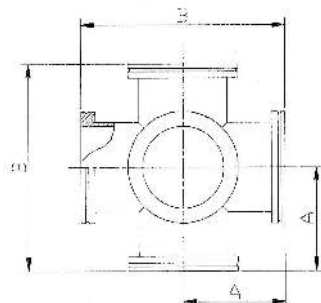
Note: Larger sizes available to order



443-ISO063-X4
Length B = 2x A

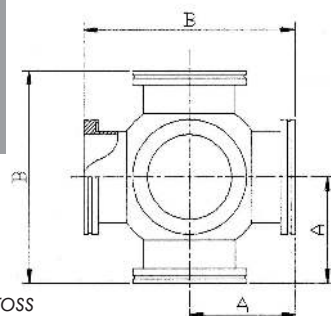


Spherical type 6-Way Cross with ISO-K Flanges.
For full dimensions, please ask for data sheet



443-ISO063-X6

Sphere ID:	
63 ISO-K	114mm
100 ISO-K	169mm
160 ISO-K	244mm
200 ISO-K	344mm



Spherical type 6-Way Cross

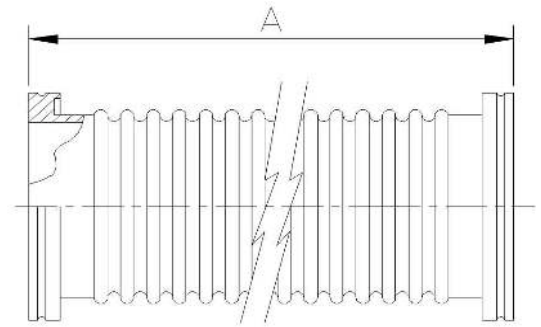
- 1 Sub-D
- 2 CM + DIL F/T
- 3 Coax F/T
- 4 Power High Voltage
- 5 Thermo-couple
- 6 Cables Accessories
- 7 Viewports Fiberoptic
- 8 Valves
- 9 Motion Manipulation
- 10 Process Control
- 11 CF Hardware
- 12 KF Hardware
- 13 ISO-K Hardware
- 14 Adaptors Specials
- 15 HV / UHV Chambers
- 16 Atlas Bi-Metal

- 1 Sub-D
- 2 CM + DIL F/T
- 3 Coax F/T
- 4 Power High Voltage
- 5 Thermo-couple
- 6 Cables Accessories
- 7 Viewports Fiberoptic
- 8 Valves
- 9 Motion Manipulation
- 10 Process Control
- 11 CF Hardware
- 12 KF Hardware
- 13 ISO-K Hardware
- 14 Adaptors Specials
- 15 HV / UHV Chambers
- 16 Atlas Bi-Metal

ISO Flexible Couplings

ISO Spare Viton O-Rings

Allectra Flexible Connectors are made from Hydraulically Formed Bellows with ISO-K Flanges at each end. Custom arrangements with different size or type of Flanges are available to order.



Specification ISO Flexible Connectors

Vacuum	to 10 ⁻⁹ mbar
Material	Stainless Steel
Min. Bending Radius	63 ISO-K : 90mm (single bend) 100 ISO-K: 135mm (single bend)

ISO Flexible Bellows Connector STAINLESS STEEL

FLANGE	LENGTH	PART NUMBER	EURO
63 ISO-K	500 mm	452-HOSE-ISO63-0500	POR
63 ISO-K	1000 mm	452-HOSE-ISO63-1000	POR
100 ISO-K	500 mm	452-HOSE-ISO100-0500	POR
100 ISO-K	1000 mm	452-HOSE-ISO100-1000	POR

Note: Other sizes and lengths on request



*Replacement O-Ring
 Diameter B is 5.7mm for sizes up to 250 ISO-K,
 Diameter B is 7mm for all larger ones.
 For full dimensions, please ask for data sheet.*

ISO Spare O-Ring Viton

FLANGE	No PER PACK	PART NUMBER	EURO
63 ISO	5	441-ISO63-O	17,00
100 ISO	5	441-ISO100-O	17,00
160 ISO	5	441-ISO160-O	34,00
200 ISO	5	441-ISO200-O	50,00
250 ISO	5	441-ISO250-O	68,00
320 ISO	5	441-ISO320-O	90,00
400 ISO	5	441-ISO400-O	140,00
500 ISO	5	441-ISO500-O	165,00
630 ISO	5	441-ISO630-O	230,00

ADAPTORS AND SPECIAL HARDWARE



14.1: ADAPTORS CF TO OTHER TYPES

-> Page 14.2

Adaptors from CF to KF
 Adaptors from CF to ISO-K
 Adaptors from CF to female VCR



14.2 ADAPTORS KF TO OTHER TYPES

-> Page 14.3

Adaptors from KF to ISO-K
 Adaptors KF to Swagelock



14.3 PRESSURE BURST DISCS

-> Page 14.4

Pressure Burst Discs- Stainless Steel
 Standard and Low Pressure versions



- 1 Sub-D
- 2 CM + DIL F/T
- 3 Coax F/T
- 4 Power High Voltage
- 5 Thermo-couple
- 6 Cables Accessories
- 7 Viewports Fiberoptic
- 8 Valves
- 9 Motion Manipulation
- 10 Process Control
- 11 CF Hardware
- 12 KF Hardware
- 13 ISO-K Hardware
- 14 Adaptors Specials
- 15 HV / UHV Chambers
- 16 Atlas Bi-Metal

14.2 ADAPTORS CF TO OTHER TYPES

DE: Info@allectra.com
 UK: uk@allectra.com
 F: fr@allectra.com



Adaptors from CF to KF, ISO-K and VCR

Between Series Adaptors are a useful and simple way of connecting components from different flange systems. Allectra offers Adaptors between all the combinations of the most common systems.

Custom adaptors for any flange type to any other are available to order.

Various Glass to Metal Adaptors are offered on request. Please ask for details.



General Specification Adaptors

Vacuum	UHV
Material	Stainless Steel
Overall length	A
16CF to 16/25KF	36mm
40CF to 25KF	36mm
40CF to other sizes	50mm
63CF and larger	50mm
CF to ISO-K	90mm

Adaptors from CF to KF Stainless Steel

FLANGE 1	FLANGE 2	PART NUMBER	EURO
16CF	16KF	460-C16-K16	32,00
16CF	25KF	460-C16-K25	34,00
40CF	25KF	460-C40-K25	50,00
40CF	40KF	460-C40-K40	58,00
63CF	40KF	460-C63-K40	108,00
100CF	40KF	460-C100-K40	135,00

Note: Other flange combinations available on request

Adaptors from CF to ISO-K Stainless Steel A = 90mm

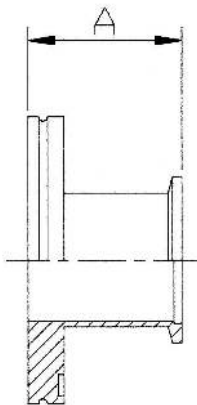
FLANGE 1	FLANGE 2	PART NUMBER	EURO
63CF	63 ISO-K	460-C63-ISO63	185,00
100CF	100 ISO-K	460-C100-ISO100	260,00
160CF	160 ISO-K	460-C160-ISO160	370,00
200CF	200 ISO-K	460-C200-ISO200	530,00

Note: Other flange combinations available on request

Adaptors from CF to female VCR Stainless Steel

FLANGE 1	VCR	PART NUMBER	EURO
16CF	1/8" (3.17mm)	460-C16-VCRF317	65,00
16CF	1/4" (6.35mm)	460-C16-VCRF635	65,00

Note: Other flange combinations available on request



Glass to Metal adaptors are available in a large variety, for example Pyrex or Quartz - open or doomed, with bellow... Please call Sales Office



- 1 Sub-D
- 2 CM + DIL F/T
- 3 Coax F/T
- 4 Power High Voltage
- 5 Thermo-couple
- 6 Cables Accessories
- 7 Viewports Fiberoptic
- 8 Valves
- 9 Motion Manipulation
- 10 Process Control
- 11 CF Hardware
- 12 KF Hardware
- 13 ISO-K Hardware
- 14 Adaptors Specials
- 15 HV / UHV Chambers
- 16 Atlas Bi-Metal

Adaptors KF to ISO(K)

Adaptors KF to Swagelock

KF Hose Adaptor

Adaptors can be made to order from any flange combinations in lengths as required.



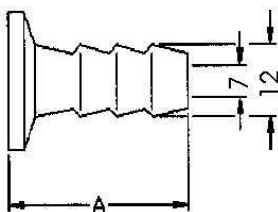
Specification KF-Adaptor

Vacuum Materials	High Vacuum Stainless Steel
------------------	-----------------------------

Conical adapters ISO-K 63 to KF are available on request

New in our product range:

Feedthroughs for liquids and LN, with tube endings, Swagelock connectors or VCR couplers.
 Please ask for more information.



Rubber Hose adapter in Stainless Steel -KF16 (left) and Aluminium-KF40

Adaptors from KF to ISO-K Stainless Steel A = 40mm

FLANGE 1	FLANGE 2	PART NUMBER	EURO
25KF	63 ISO-K	460-ISO63-K25	55,00
40KF	63 ISO-K	460-ISO63-K40	70,00
50KF	63 ISO-K	460-ISO63-K50	102,00
40KF	100 ISO-K	460-ISO100-K40	115,00
50KF	100 ISO-K	460-ISO100-K50	165,00

Note: Other flange combinations available on request

KF to Swagelock Adaptors STAINLESS STEEL

FLANGE	SWG SIZE	PART NUMBER	EURO
16KF	1/8" (3.17mm)	461-K16-SWG3.2	66,00
16KF	1/4" (6.35mm)	461-K16-SWG6.4	66,00
16KF	3/8" (9.52mm)	461-K16-SWG9.5	66,00

Note: Other KF Flanges and Swagelock sizes on request

Also available with CF flanges

Adaptors from KF to 12mm ID PVC Hose Stainless Steel A = 40mm

FLANGE	A	PART NUMBER	EURO
16KF	40mm	461-HN12-K16-SS	25,00
25KF	40mm	461-HN12-K25-SS	25,00
40KF	40mm	461-HN12-K40-SS	28,00
50KF	40mm	461-HN12-K50-SS	38,00

Adaptors from KF to 12mm ID PVC Hose Aluminium A = 40mm

FLANGE	A	PART NUMBER	EURO
16KF	40mm	461-HN12-K16-AL	15,00
25KF	40mm	461-HN12-K25-AL	17,00
40KF	40mm	461-HN12-K40-AL	19,00

14.4 PRESSURE BURST DISCS

DE: Info@allectra.com
 UK: uk@allectra.com
 F: fr@allectra.com



Pressure Burst Discs

Pressure Burst Discs are Flange mounted Membranes which are designed to rupture and release gas in the event of potentially hazardous pressures greater than atmospheric pressure.

Two versions are offered:

- Standard type with a max. overpressure of 1.7 bar
- Low Pressure type with max. 0.8 bar overpressure (0.8 bar gauge)

They are available on 16CF / 40CF / 16KF / 25KF / 40KF



Standard Version
461-PBD-C40

Specification Burst Discs Standard and Low Pressure

	Standard	Low Pressure
Vacuum		UHV
Construction	All Metal SS	
Temperature	-200 ... +350°V	
Bursting pressure		
typ. (differential)	1.2 ... 1.4 bar	0.6 ... 0.8 bar
max. (@22°C)	1.7 bar	0.8 bar
Mounting flanges	16CF / 40CF / 16KF / 25KF / 40KF	
Flow rates	150l/s (40CF/40KF), 35l/s (16CF/16KF)	
Opt. outlet flange for gas recovery	DN50KF	

Pressure Burst Disc CF Flange All Metal

FLANGE	HIGHT	PART NUMBER	EURO
16CF	48	461-PBD-C16	225,00
40CF	24	461-PBD-C40	225,00

Pressure Burst Disc KF Flanges All Metal

FLANGE	HIGHT	PART NUMBER	EURO
16KF	48	461-PBD-K16	220,00
25KF	48	461-PBD-K25	220,00
40KF	23	461-PBD-K40	220,00



Standard Version
461-PBD-C16
Body diameter 45mm

A leaking LN2 cooling system can cause a very rapid pressure rise, for health and safety reasons all vacuum vessels with such a risk require a pressure burst disk.

For a full data sheet please ask the sales office or download at www.allectra.com

Low Pressure Burst Disc CF Flange All Metal

NEW

FLANGE	HIGHT	PART NUMBER	EURO
16CF	72	461-PBD-C16-LP	447,00
40CF	72	461-PBD-C40-LP	452,00

Low Pressure Burst Disc KF Flanges All Metal

NEW

FLANGE	HIGHT	PART NUMBER	EURO
16KF	71	461-PBD-K16-LP	445,00
25KF	71	461-PBD-K25-LP	445,00
40KF	71	461-PBD-K40-LP	445,00



Low Pressure Version
461-PBD-C40-LP
Body diameter 59mm

Pressure Burst Discs with gas recovery can be built to order. Please ask Sales Office for details.

- 1 Sub-D
- 2 CM + DIL F/T
- 3 Coax F/T
- 4 Power High Voltage
- 5 Thermo-couple
- 6 Cables Accessories
- 7 Viewports Fiberoptic
- 8 Valves
- 9 Motion Manipulation
- 10 Process Control
- 11 CF Hardware
- 12 KF Hardware
- 13 ISO-K Hardware
- 14 Adaptors Specials
- 15 HV / UHV Chambers
- 16 Atlas Bi-Metal